

CCB1-05

## 5W GU5.3 Base MR16 LED Spotlight Bulb

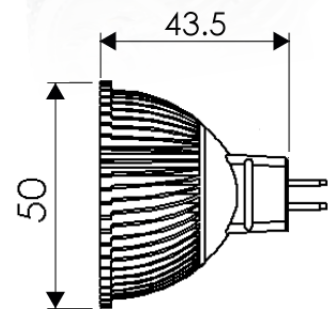
- ★ Suitable for 12V AC/DC
- ★ Equal to 50W Conventional MR16
- ★ Excellent cooling system
- ★ Energy Saving and environment-friendly
- ★ Fully compatible with halogen MR16
- ★ Long lifetime up to 25,000 hours
- ★ No UV and IR Radiation
- ★ Harmless for paintings and antiques



5W LED Driver

### Driver Specifications:

- ▶ Product Name: 5W LED Driver
- ▶ Model Number: CCB-D05125
- ▶ Input Voltage: 90~264VAC, 50/60Hz
- ▶ Output: 12VDC, 500mA(±5%)
- ▶ Place of Origin: Taiwan



Model Number	CCB1-05-GU5.3	
Power Consumption	5W	
Input Voltage	12V AC/DC	
Body Material	Aluminum	
Color Temperature	5000K-5650K	2700K-2850K
Color	Cool White	Warm White
Luminous Flux	400 Lm	350 Lm
Working temperature	-20°C ~ +40°C	
CRI	≥ 80	
Beam angle	45 degree	
Base	GU5.3	
Dimensions	Diameter 50mm × Height 51mm	
Weight	42g	



## E27 LED Light Bulb



### CCB2-10-E27

#### 10W E27 LED Light Bulb

*Equal to 70W incandescent bulb*



### CCB2-13-E27

#### 13W E27 LED Light Bulb

*Equal to 80W incandescent bulb*



### CCB2-16-E27

#### 16W E27 LED Light Bulb

*Equal to 100W incandescent bulb*

- ★ Suitable for 100~240VAC
- ★ Excellent cooling system
- ★ Energy Saving and environment-friendly
- ★ Fully compatible with halogen E27
- ★ Long lifetime up to 15,000 hours
- ★ No UV and IR Radiation
- ★ Harmless for paintings and antiques

Model Number	CCB2-10-E27		CCB2-13-E27		CCB2-16-E27	
Power Consumption	10W		13W		16W	
Input Voltage	100~240VAC		100~240VAC		100~240VAC	
Body Material	Aluminum + PC Cover		Aluminum + PC Cover		Aluminum + PC Cover	
Color Temperature	6500K	3000K	6500K	3000K	6500K	3000K
	Daylight	Warm White	Daylight	Warm White	Daylight	Warm White
Luminous Flux	1200lm	1100lm	1500lm	1350lm	1700lm	1600lm
Working temperature	-20°C ~ +40°C		-20°C ~ +40°C		-20°C ~ +40°C	
CRI	≥ 80		≥ 80		≥ 80	
Beam angle	270 degree		270 degree		270 degree	
Base	E27		E27		E27	
Dimensions	Diameter 60mm × Height 113mm		Diameter 65mm × Height 125mm		Diameter 70mm × Height 130mm	
Weight	58g		76g		113g	



## AR111 LED Spotlight Bulb



- ★ Suitable for 90~260VAC
- ★ Excellent cooling system
- ★ Energy Saving and environment-friendly
- ★ Fully compatible with halogen G53
- ★ Long lifetime up to 25,000 hours
- ★ No UV and IR Radiation
- ★ Harmless for paintings and antiques

### 10W AR111 LED Spotlight Bulb

*Equal to 50W Conventional AR111*

### 14W AR111 LED Spotlight Bulb

*Equal to 70W Conventional AR111*

Model Number	CCB3-10-G53		CCB3-14-G53	
Power Consumption	10W±10%		14W±10%	
LED Quantity	1Wx7pcs		2Wx7pcs	
Input Voltage	90~260VAC		90~260VAC	
Body Material	Aluminum		Aluminum	
Color Temperature	5000K-5650K	2700K-2850K	5000K-5650K	2700K-2850K
	Cool White	Warm White	Cool White	Warm White
Luminous Flux	750 Lm	700 Lm	1400 Lm	1300 Lm
Working temperature	-20°C ~ +40°C		-20°C ~ +40°C	
CRI	≥ 80		≥ 80	
Beam angle	45 degree		45 degree	
Base	G53		G53	
Dimensions	Diameter 111mm × Height 67mm		Diameter 111mm × Height 67mm	
Weight	280g		280g	

**CCB4-10**

## 10W PAR30 LED Spotlight Bulb



- ★ Suitable for 90~260VAC
- ★ Equal to 50W Conventional PAR30
- ★ Excellent cooling system
- ★ Energy Saving and environment-friendly
- ★ Fully compatible with halogen E27
- ★ Long lifetime up to 25,000 hours
- ★ No UV and IR Radiation
- ★ Harmless for paintings and antiques

Model Number	CCB4-10-E27-45CW	CCB4-10-E27-45WW
Power Consumption	10W	10W
LED Quantity	1Wx7pcs	1Wx7pcs
Input Voltage	90~260VAC	90~260VAC
Body Material	Aluminum	Aluminum
Color Temperature	5000K-5650K	2700K-2850K
Color	Cool White	Warm White
Luminous Flux	750 Lm	700 Lm
Working temperature	-20°C ~ +40°C	-20°C ~ +40°C
CRI	≥ 80	≥ 80
Beam angle	45 degree	45 degree
Base	E27	E27
Dimensions	Diameter 95mm × Length 100mm	Diameter 95mm × Length 100mm
Weight	228g	228g



## T8 LED Tube



- ★ Suitable for 100~260VAC
- ★ Excellent cooling system
- ★ Energy Saving and environment-friendly
- ★ Fully compatible with conventional T8 tube
- ★ Long lifetime up to 15,000 hours
- ★ No UV and IR Radiation
- ★ Lower power consumption and higher light efficiency

### 9W LED T8 Tube (2ft)

### 18W LED T8 Tube (4ft)

Model Number	CCA-8020A			CCA-8040A		
Power Consumption	9W±1W			18W±1W		
Input Voltage	100~260 VAC			100~260 VAC		
Body Material	PC cover + Plastic end cap			PC cover + Plastic end cap		
Color Temperature	6500K Daylight	4000K Natural White	3000K Warm White	6500K Daylight	4000K Natural White	3000K Warm White
Luminous Flux	1100 Lm	950 Lm	950 Lm	2200 Lm	2000 Lm	2000 Lm
Luminous efficiency	100lm/w			100lm/w		
Working temperature	-20°C ~ +40°C			-20°C ~ +40°C		
CRI	≥ 80			≥ 80		
Power Factor	>0.9			>0.9		
Beam angle	180 degree			180 degree		
Base	G13 (T8)			G13 (T8)		
Dimensions	Diameter 30mm × Length 580mm			Diameter 30mm × Length 1198mm		
Weight	200g			300g		